


Position	Qty.	Description
	1	<p>Unilift KP 350 AV 1</p>  <p style="text-align: center;">Note! Product picture may differ from actual product</p> <p>Product No.: 013N7900 Submersible drainage pump</p> <p>Vertical single-stage stainless steel submersible pump with vertical discharge port and integrated submersible 1-phase canned motor in insulation class F with thermal overload protection.</p> <p>The pump is fitted with a suction strainer, a carrying handle and is supplied with a 10 m mains cable.</p> <p>The impeller is a semi-open impeller for 10 mm free passage suitable for pumping groundwater, surface water, rain water and similar liquids.</p> <p>The pump has a double shaft seal consisting of two lip seals with grease in-between.</p> <p>The pump has an outer casing ensuring continuous cooling of the motor by the pumped liquid. The rotor shaft operates in two maintenance-free carbon bearings cooled by the pumped liquid</p> <p>The motor is filled with a non-toxic motor liquid.</p> <p>Liquid: Pumped liquid: Any Newtonian liquid Liquid temperature range: 0 .. 50 °C Density: 998.2 kg/m³</p> <p>Technical: Maximum particle size: 10 mm</p> <p>Materials: Pump housing: Stainless steel DIN W.-Nr. 1.4301 AISI 304 Impeller: Stainless steel DIN W.-Nr. 1.4031 AISI 304</p> <p>Installation:</p>



Company name:

Created by:

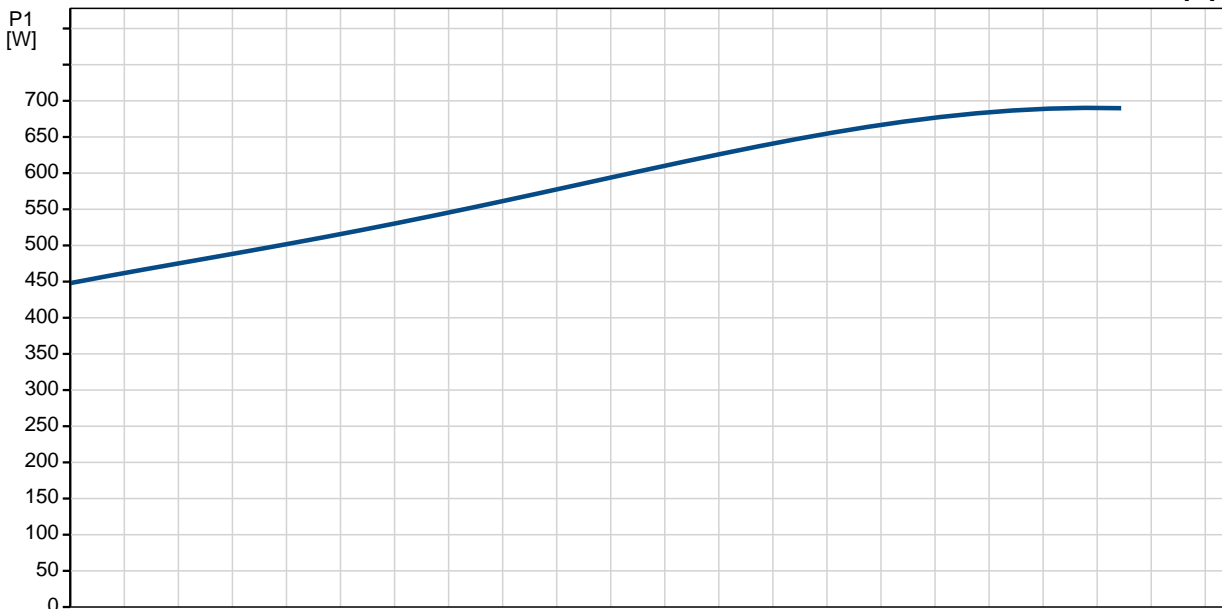
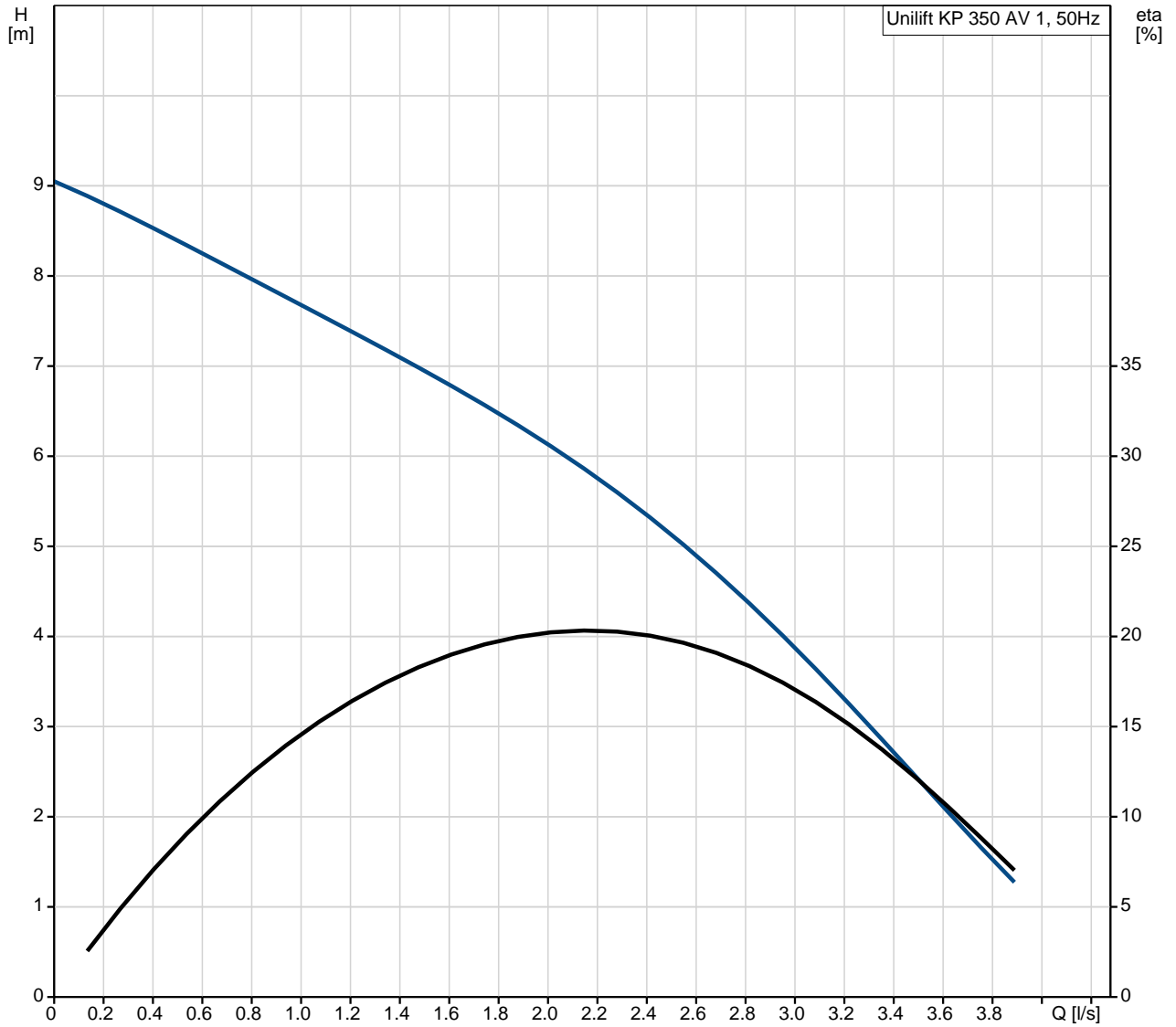
Phone:

Date:

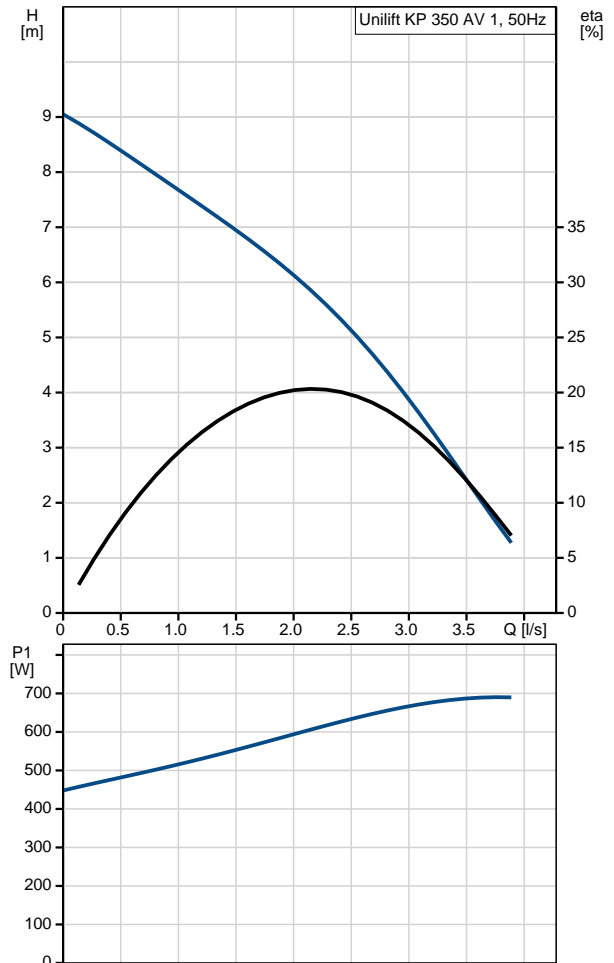
21/02/2017

Position	Qty.	Description
		Pump outlet: Rp 1 1/4 Maximum installation depth: 7 m
		Electrical data: Power input - P1: 700 W C run: 10 µF Mains frequency: 50 Hz Rated voltage: 1 x 220-240 V Rated current: 3.2 A Capacitor size - run: 10 µF/400 V Enclosure class (IEC 34-5): IP68 Insulation class (IEC 85): F Length of cable: 10 m Type of cable plug: NONE
		Others: Net weight: 8 kg Gross weight: 8.3 kg Shipping volume: 0.013 m ³

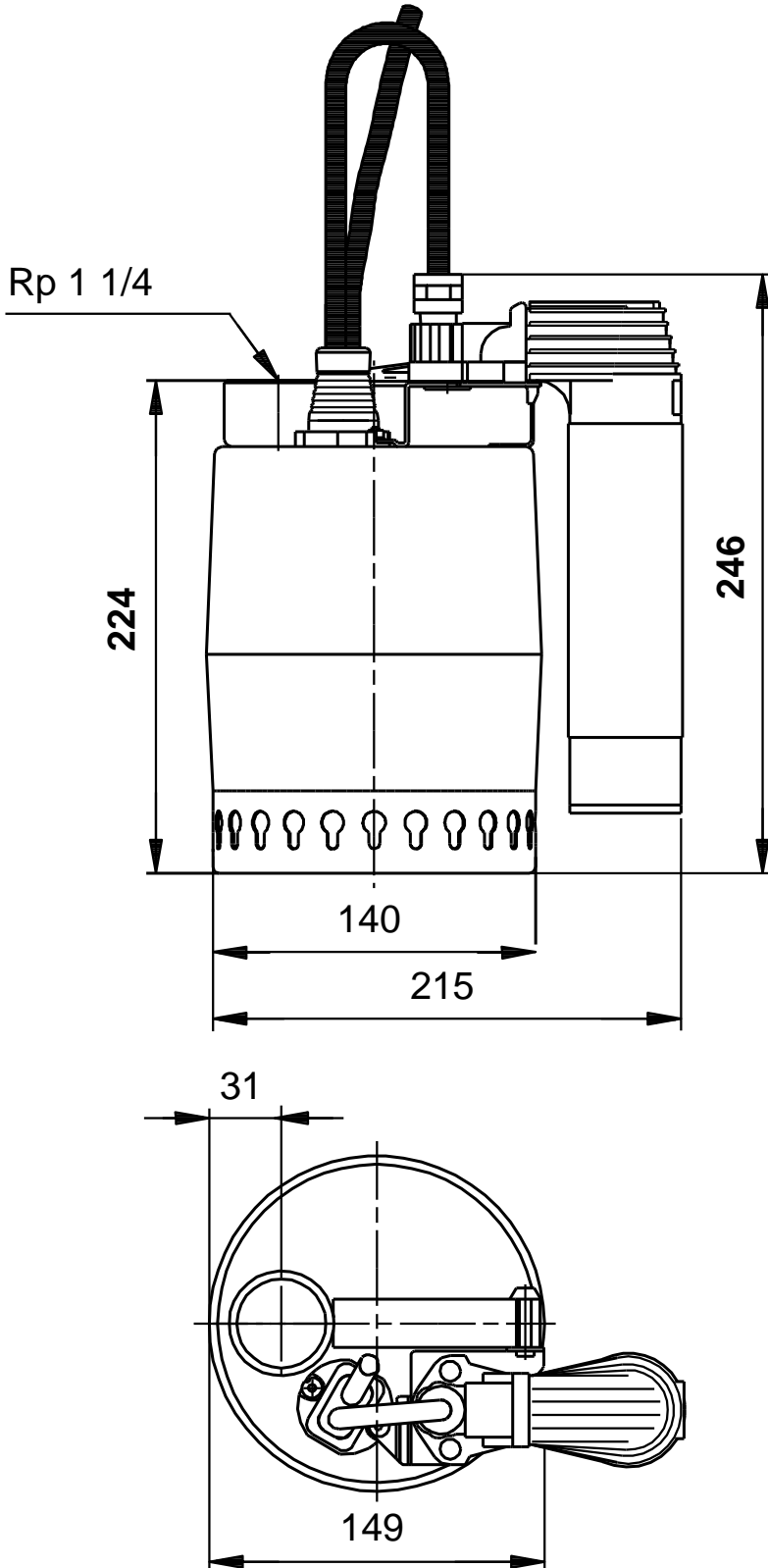
013N7900 Unilift KP 350 AV 1 50 Hz



Description	Value
General information:	
Product name:	Unilift KP 350 AV 1
Product No:	013N7900
EAN number:	5700393781665
Price:	On request
Technical:	
Max flow:	3.89 l/s
Head max:	9 m
Maximum particle size:	10 mm
Model:	A
Materials:	
Pump housing:	Stainless steel DIN W.-Nr. 1.4301 AISI 304
Impeller:	Stainless steel DIN W.-Nr. 1.4031 AISI 304
Installation:	
Pump outlet:	Rp 1 1/4
Maximum installation depth:	7 m
Liquid:	
Pumped liquid:	Any Newtonian liquid
Liquid temperature range:	0 .. 50 °C
Density:	998.2 kg/m ³
Electrical data:	
Power input - P1:	700 W
C run:	10 µF
Mains frequency:	50 Hz
Rated voltage:	1 x 220-240 V
Rated current:	3.2 A
Capacitor size - run:	10 µF/400 V
Enclosure class (IEC 34-5):	IP68
Insulation class (IEC 85):	F
Motor protec:	CONTACT
Thermal protec:	internal
Length of cable:	10 m
Type of cable plug:	NONE
Controls:	
Level switch:	vertical level switch
Others:	
Net weight:	8 kg
Gross weight:	8.3 kg
Shipping volume:	0.013 m ³

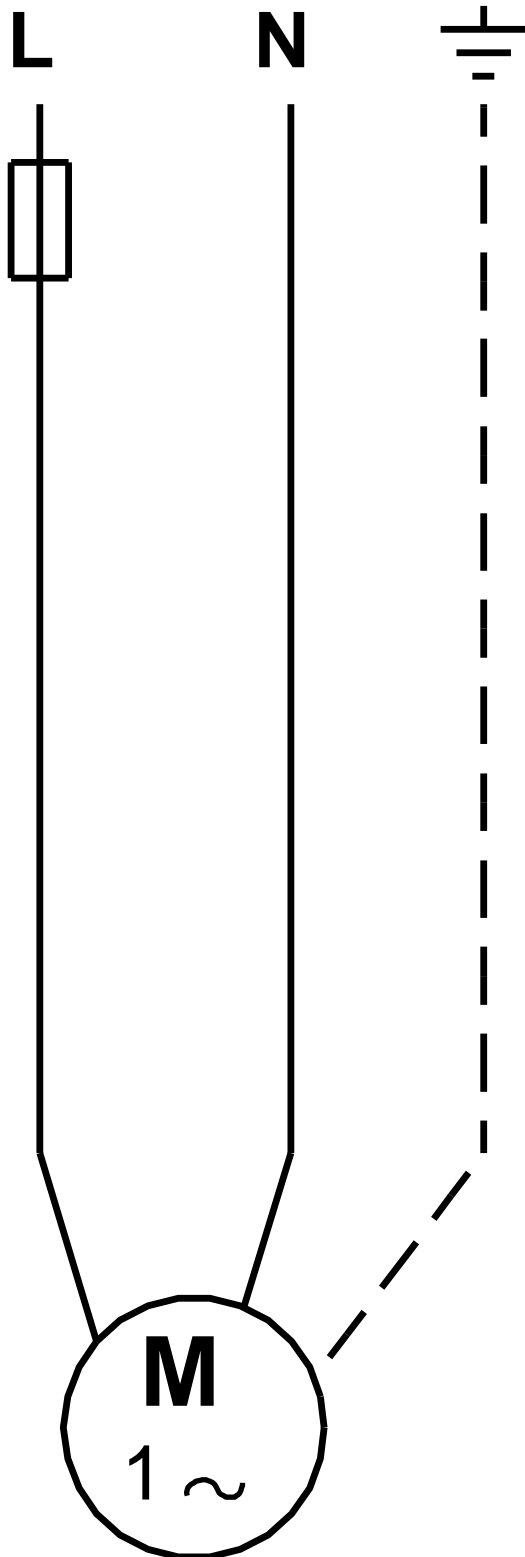


013N7900 Unilift KP 350 AV 1 50 Hz



Note! All units are in [mm] unless others are stated.
Disclaimer: This simplified dimensional drawing does not show all details.

013N7900 Unilift KP 350 AV 1 50 Hz



Note! All units are in [mm] unless others are stated.